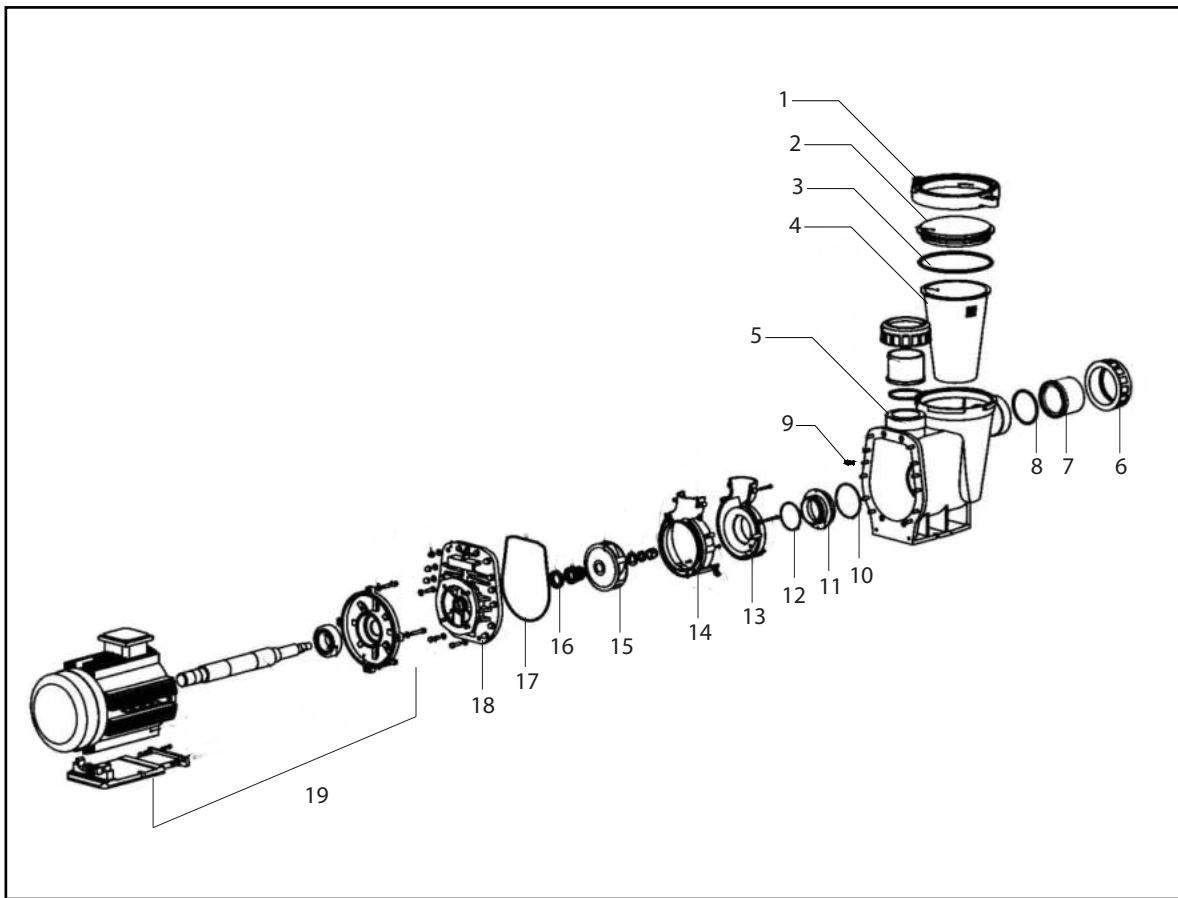


MTX 750, MTX 1000, MTX 1500



INDEX	PRODUCT	DESCRIPTION	QUANTITY	NOTE
1	90533	Nut for Lid	1	
2	90534	Lid (Transparent)	1	
3	90524	O-ring for Lid	1	
4	90542	Strainer Basket	1	
5	90529	Wet-end Body	1	
6	90541	Union Nut	1	
7	90540	Union Adapter	1	
8	90527	Union O-ring	1	
9	90539	Drain plug	1	
10	90528	Gasket for Interface 1	1	
11	90168	Interface	1	
12	90538	Gasket for Interface 2	1	
13	90536	Water device 1	1	
14	90537	Water device 2	1	
15	90530	Impeller (MTX750)	1	
	90531	Impeller (MTX1000,MTX1500)	1	
16	90543	Mechanical Seal	1	
17	90525	O-ring for Wet-end cover	1	
18	90532	Wet-end flange	1	
	90544	Motor (MTX750)	1	
19	90545	Motor (MTX1000)	1	
	90546	Motor (MTX1500)	1	