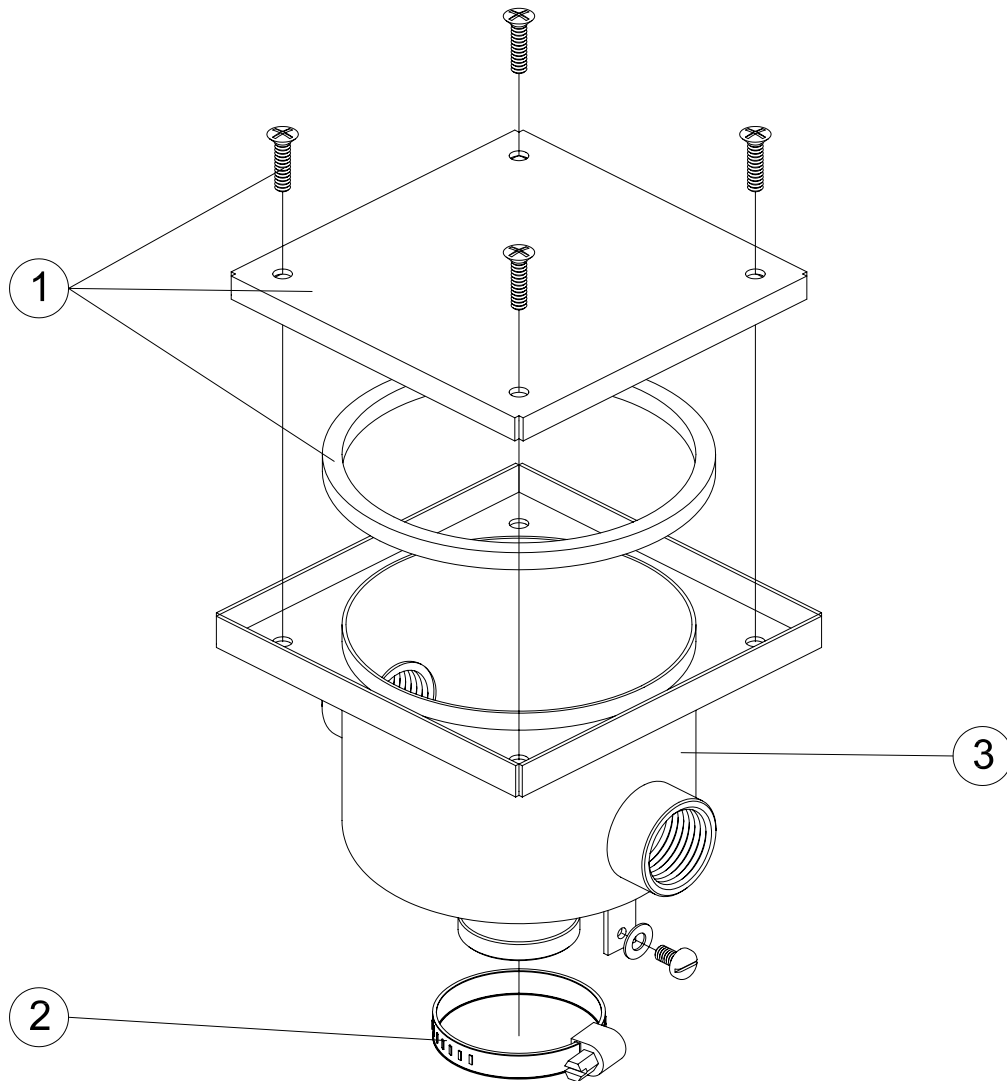


CODES: 00393

DESCRIPTION: DECK BOX



POS.	CODE	DESCRIPTION	POS.	CODE	DESCRIPTION
1	4403020201	S. S. CONNECTION BOX LID	3	00393R0100	BOX BODY
2	00393R0009	MIKALOR GASKET 25 X 40			